

Bushing Data:

| | | |
|---------------------------------|------|----|
| Rated Voltage | 420 | kV |
| Phase to-earth Voltage | 280 | kV |
| Dry Lightning Impulse I, 2/50µs | 1425 | kV |
| Wet Switching Impulse | 950 | kV |
| Wet Power frequency AC | 580 | kV |
| Routine test Imin dry 50Hz | 695 | kV |
| Rated Current | 2500 | A |
| Creepage Distance | 8570 | mm |
| Mass | 1265 | kg |

Ordering Data:

BUSHING COLOUR AIR INSULATOR
 LF121075 -B / -AB BROWN / LIGHT GREY

OUTER TERMINAL

| | | |
|------------------------|---------|---------|
| LF170 073-A Al | H2 (mm) | D2 (mm) |
| LF170 073-B Cu | 125 | 60 |
| LF170 073-G Cu/Ag | 125 | 60 |
| OTHER TYPES ON REQUEST | 125 | 60 |

END-SHIELD

LF170 046-V EPOXY INSULATED
 LF170 046-VP INSULATED WITH 3 mm PRESSBOARD

DRAW ROD SYSTEM

LF170 059 LOWER DRAW ROD WITH NI=4 OR NI=6
 LF170 057 UPPER DRAW ROD

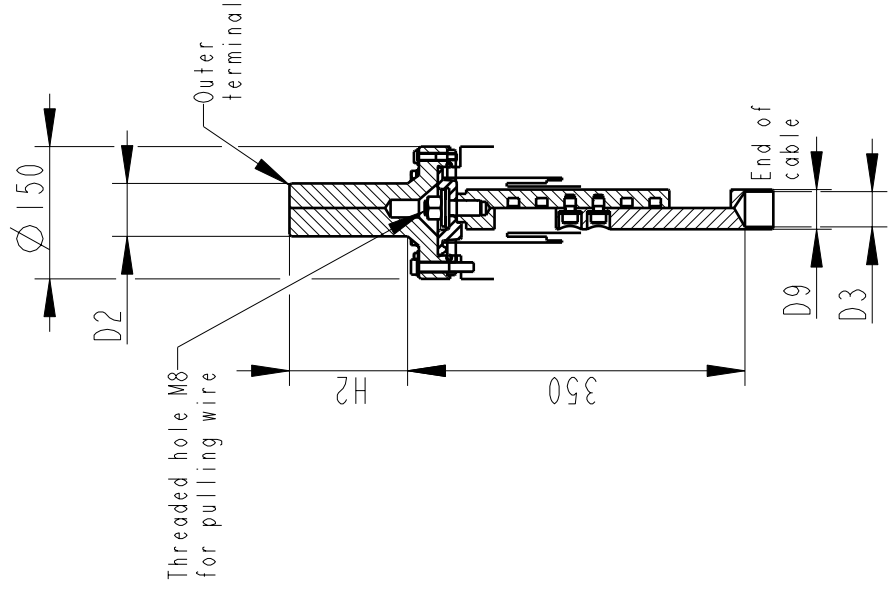
INNER TERMINAL

| | | | | |
|--------------------|---------|-------------------------------|-------------|------|
| D3 (mm) | D9 (mm) | Cond. area (mm ²) | Current (A) | IEEC |
| LF170 056-E O*) 45 | 45 | - | - | - |
| LF170 056-D 40 | 45 | 600 | 1600 | 1360 |

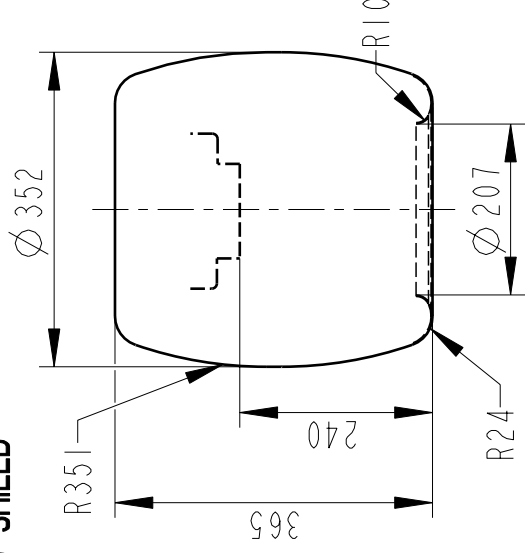
*) WITH PILOT HOLE D=5

| ABB Components | | Lutiska, Sweden | |
|----------------|----|-----------------|----------|
| No. | kV | A | 50/60 Hz |
| U ₁ | kV | SI | kV AC |
| M | kg | L | mm D |
| C1 | pf | Tanδ | ; |
| C2 | pf | Tanδ | ; |

INNER TERMINAL / OUTER TERMINAL

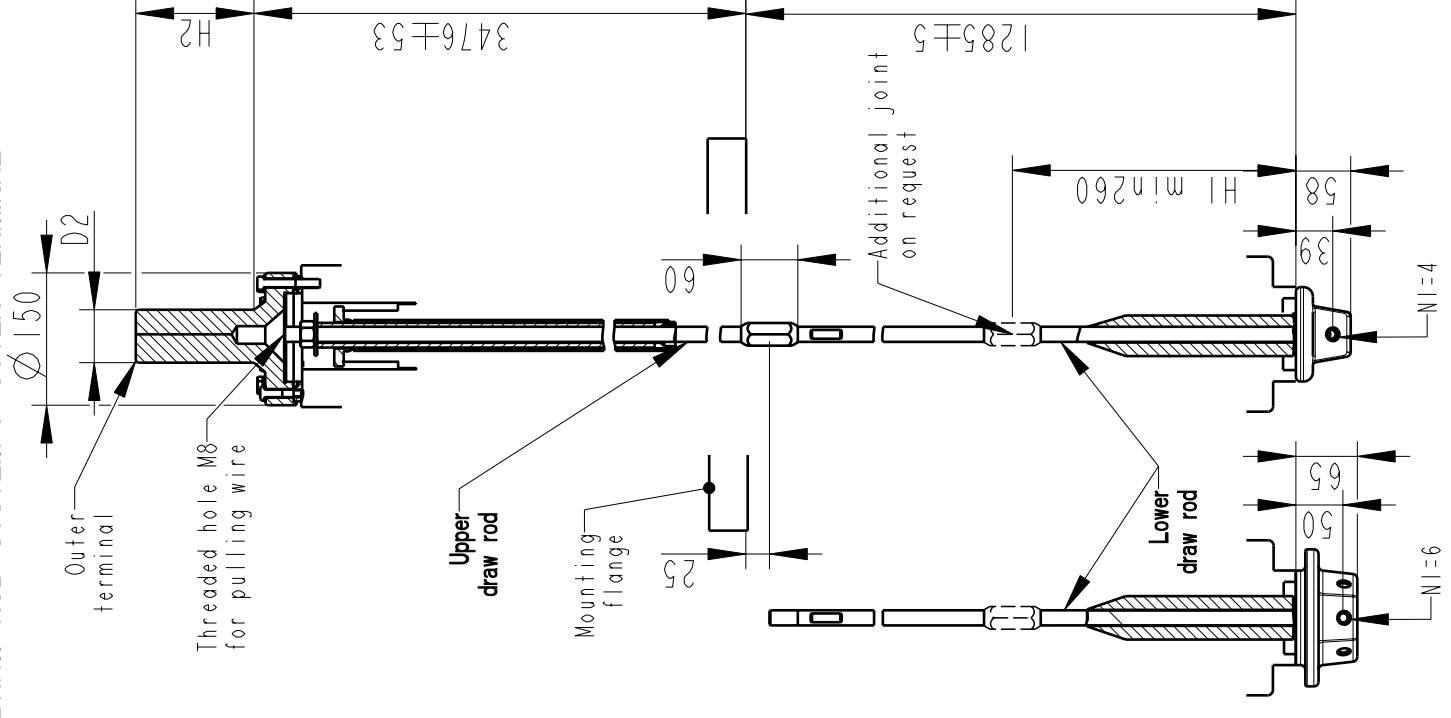


END SHIELD



NI=Number of holes M12, equipped with thread insert with screw lock, depth 20, for cable lugs.

DRAW ROD SYSTEM / OUTER TERMINAL



| | | |
|---------------------------|------------------------|--------------------------|
| Based on | Reg. No. | Title |
| Prepared | Responsible department | GOE-1425-950-2500-0.3 |
| Lövnord | COM/BK 0025 | |
| Approved | Take over department | |
| Johansson | Database | |
| Design engineering review | | |
| Gutman | | |
| ABB ABB Components | | Document No. 2751369-101 |

We reserve all rights in this document and in the information contained therein. Reproduction, use or disclosure to third parties without express authority is strictly forbidden.